

F

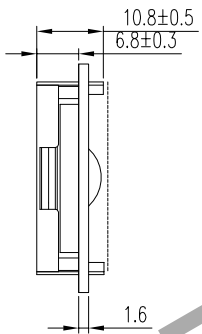
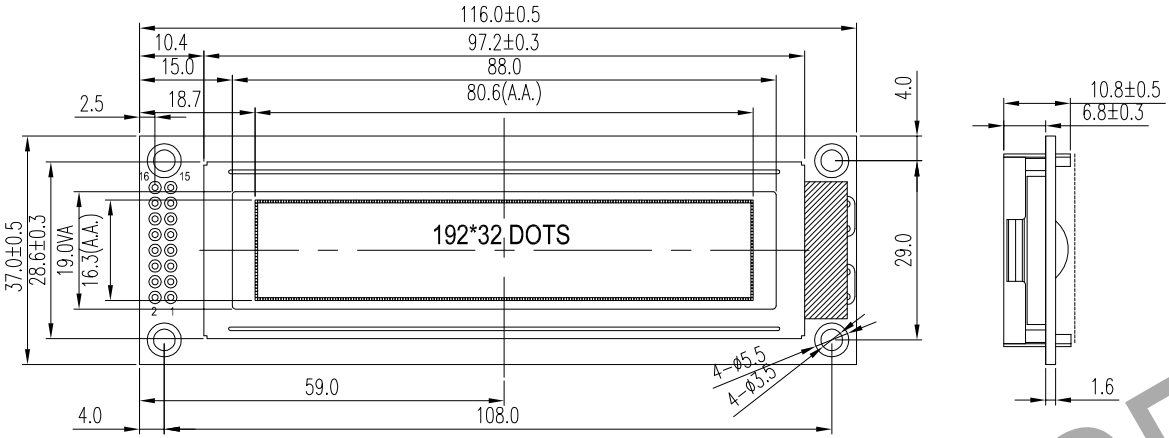
E

D

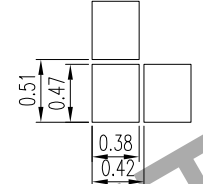
C

B

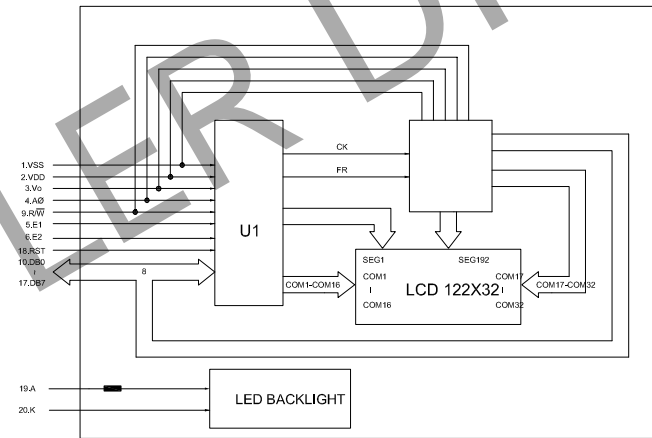
A



16	K (0V)
15	A(+5.0V)
14	DB7
13	DB6
12	DB5
11	DB4
10	DB3
9	DB2
8	DB1
7	DB0
6	E
5	R/W
4	RS
3	VO(NC)
2	VDD
1	VSS
PIN NO.	SYMBOL



Dots Detail



ITEM	SELECTABLE CONTENTS
DISPLAY MODE	STN YELLOW MODE
	STN GRAY MODE
	STN BLUE MODE
	FSTN
POLARIZER TYPE	REFLECTIVE
	TRANSFLECTIVE
	TRANSMISSIVE, POSITIVE
	TRANSMISSIVE, NEGATIVE
VIEWING DIRECTION	6 O'CLOCK
	12 O'CLOCK
LED BACKLIGHT	WHITE
	YELLOW-GREEN
	RED
	GREEN
	BLUE
	AMBER
TEMPERATURE RANGE	STANDARD TEMPERATURE
	WIDE TEMPERATURE
CHARACTER PATTERNS	
OPERATING VOLTAGE	5.0V
LCD DRIVING VOLTAGE	6.8V
LCD DRIVE METHOD	1/32 DUTY 1/6 BIAS
LCD DRIVE IC	ST7920

THE PART NUMBER IN MASS PRODUCTION

1. STN(Y-G), TRANSFLECTIVE LCD; YELLOW-GREEN BACKLIGHT; 6 O'CLOCK;
 2.--
 3.--
 4.--

UNIT	TOLERANCE
MM	X.X = ± 0.3
3RD ANGLE	X.XX = ± 0.20
	ANG = -
SCALE:	1:1
DRAWN:	
CHECKED:	
APPROVED:	

ZETTLER DISPLAYS

XIAMEN ZETTLER ELECTRONICS CO., LTD.

TITLE:	LCM	REV	A
MODEL NO:	AGM1932A SERIES	SH NO	1/1
PART NO:			